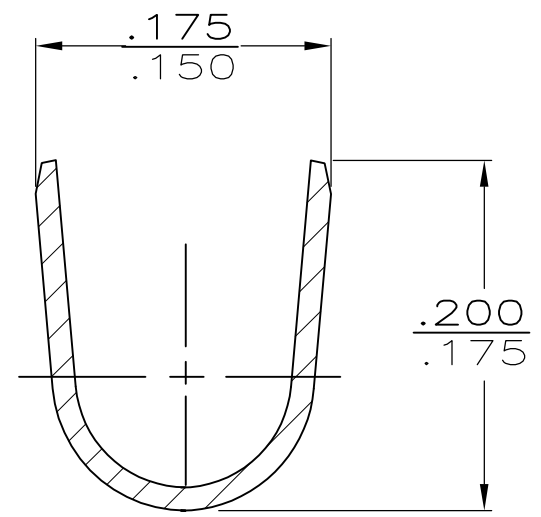
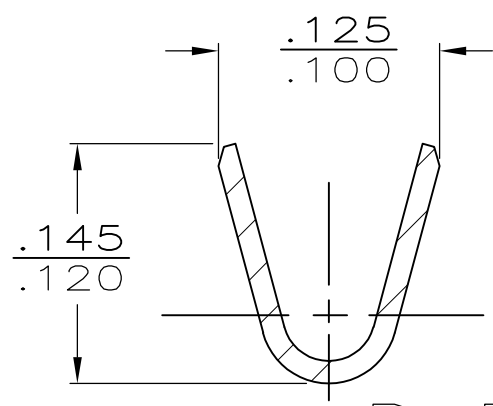
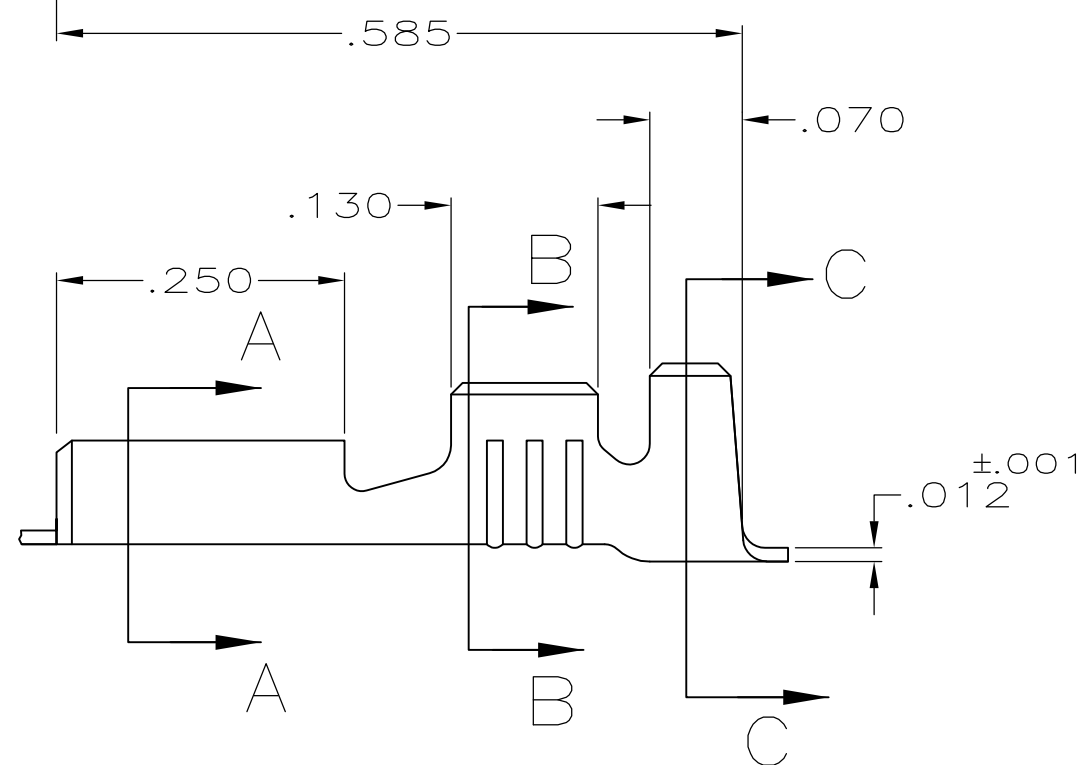
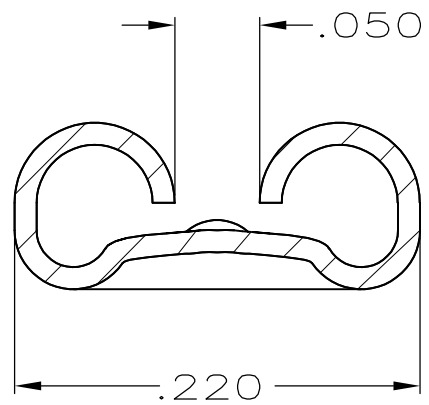
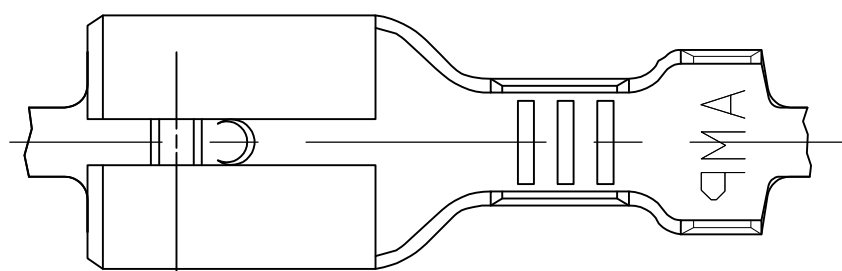


THIS DRAWING IS UNPUBLISHED. RELEASED FOR PUBLICATION  
 © COPYRIGHT - By - ALL RIGHTS RESERVED.

LOC	DIST	REVISIONS			
P	LTR	DESCRIPTION	DATE	DWN	APVD
AF	50	U2	REV PER ECO 13-010686	27JUN13	JR PD

- 1 CONTINUOUS STRIP ON REELS
- 2 MATING TAB THK IS  $.020 \pm .001$
- 3 WIRE SIZE IS #20-#16 AWG
- 4 INSULATION RANGE IS  $.090 - .130$  DIA



FINISH	MATERIAL	PART NO.
<del>OBSOLETE</del> TIN	#4H PH BRZ	<del>42617-4</del>
<del>OBSOLETE</del> -		<del>42617-3</del>
TIN	BRASS	42617-2
-		42617-1

THIS DRAWING IS A CONTROLLED DOCUMENT.		DWN	JR RUTH	10/27/89	<b>STE</b> TE Connectivity											
DIMENSIONS: INCHES		CHK	MS FEHER	10/27/89												
TOLERANCES UNLESS OTHERWISE SPECIFIED:		APVD	C MEYERS	10/27/89												
<table border="1"> <tr><td>0 PLC</td><td>± -</td></tr> <tr><td>1 PLC</td><td>± -</td></tr> <tr><td>2 PLC</td><td>± -</td></tr> <tr><td>3 PLC</td><td>± .015</td></tr> <tr><td>4 PLC</td><td>± -</td></tr> <tr><td>ANGLES</td><td>± -</td></tr> </table>		0 PLC	± -	1 PLC		± -	2 PLC	± -	3 PLC	± .015	4 PLC	± -	ANGLES	± -	NAME	
0 PLC	± -															
1 PLC	± -															
2 PLC	± -															
3 PLC	± .015															
4 PLC	± -															
ANGLES	± -															
MATERIAL	SEE TABLE	FINISH	SEE TABLE	WEIGHT	-											
CUSTOMER DRAWING		SIZE	A3	CAGE CODE	00779											
		DRAWING NO	C-42617		RESTRICTED TO											
		SCALE	6:1	SHEET	1 OF 1											
		REV	U2													